



KOA 



NEW



MADE IN ITALY

PERFORMANCE
iN LIGHTING

KOA

Range of indoor and outdoor ceiling-mounted LED fixtures, composed of:

- Die-cast aluminium housing chemically pre-treated and painted with polyester powder coat
- Diffuser with integrated louvre in UV and heat stabilised transparent technopolymer
- High-transparency polycarbonate lenses for best light transmission
- Anti-aging silicone gasket with high resiliency
- Electrical connection with outdoor plug-socket

- quick connector (IP66 rating) that allows connection to mains without opening the luminaire body, made in PA66 with silver-plated brass contacts, for cables Ø 9 - Ø 12 mm
- Light beam obtained by the combination of multiple LED modules
- Galvanised steel M8 suspension hook
- Stainless steel external screws
- Complete with metal safety cable that guarantees suspension of the fixture in case of

- breakage of the main suspension system
- On request, versions with DALI dimming systems are available



IP 66	IK10 24J xx9	CE	CLASS I	0,5 m	850 °C	HOUSE	SUSPENDED LUMINAIRE	DIFFUSED LIGHT EMISSION	ELLIPTICAL LIGHT EMISSION	1-10 V
QUICK	LED									94

KOA MAXI



n. 32 LED



n. 24 LED



n. 16 LED

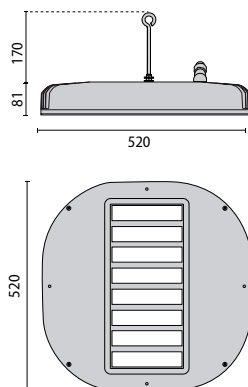
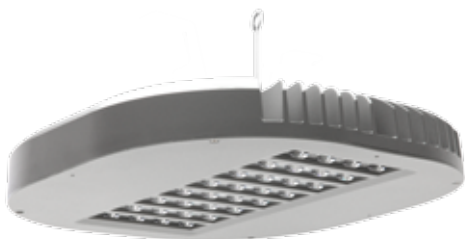
KOA MINI



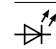
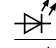
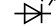
n. 16 LED




n. 8 LED



Lamps

	n.16 LED - 135 W
	n.24 LED - 210 W
	n.32 LED - 270 W

LAMPHOLDER	POWER	ILCOS	LBS	COLOUR/ RAL	CLASS		KELVIN	COS Φ $\geq 0,9$	EEL	OPTIC	OPTIC BEAM	NOMINAL LUMEN OUTPUT	REAL LUMEN OUTPUT	LIFETIME	L	°C	CODE	NOTES	EURO
------------	-------	-------	-----	----------------	-------	---	--------	--------------------------	-----	-------	---------------	-------------------------	----------------------	----------	---	----	------	-------	------

KOA MAXI S/EW

POWER LED DIMMABLE 1-10 V 220/240 V 50/60 HZ

-	n.16 LED - 135 W	-	-	94	I		4000	•	-	S/EW	-	17280 lm	14836 lm	50000 h	L70	-	06120794		
-	n.24 LED - 210 W	-	-	94	I		4000	•	-	S/EW	-	25920 lm	21967 lm	50000 h	L70	-	06113594		
-	n.32 LED - 270 W	-	-	94	I		4000	•	-	S/EW	-	34560 lm	29111 lm	50000 h	L70	-	06112794		



LAMPHOLDER	POWER	ILCOS	LBS	COLOUR/ RAL	CLASS		KELVIN	COS Φ $\geq 0,9$	EEL	OPTIC	OPTIC BEAM	NOMINAL LUMEN OUTPUT	REAL LUMEN OUTPUT	LIFETIME	L	°C	CODE	NOTES	EURO
------------	-------	-------	-----	----------------	-------	---	--------	--------------------------	-----	-------	---------------	-------------------------	----------------------	----------	---	----	------	-------	------

KOA MAXI ELL

POWER LED DIMMABLE 1-10 V 220/240 V 50/60 HZ

-	n.16 LED - 135 W	-	-	94	I		4000	•	-	ELL	-	17280 lm	13279 lm	50000 h	L70	-	06121194		
-	n.24 LED - 210 W	-	-	94	I		4000	•	-	ELL	-	25920 lm	19808 lm	50000 h	L70	-	06113994		
-	n.32 LED - 270 W	-	-	94	I		4000	•	-	ELL	-	34560 lm	26273 lm	50000 h	L70	-	06113194		

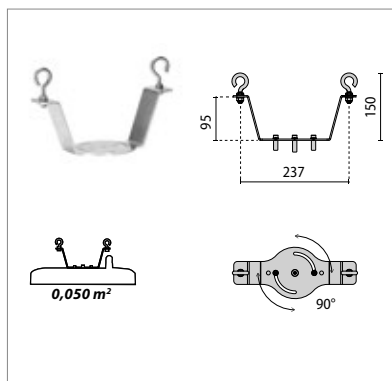


ACCESSORIES

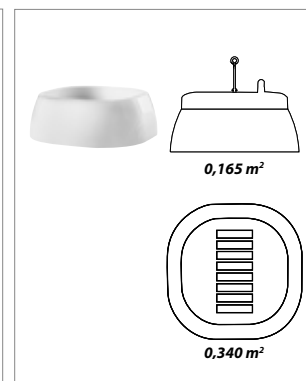
DESCRIPTION	COLOUR	CODE	EURO
A0675 Double hook KOA MINI / MAXI	-	14174920	
A0676 Bell diffuser KOA MAXI	-	14175020	
A0677 Protective glass MAXI	-	14175120	



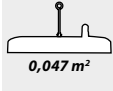

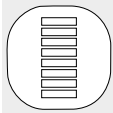
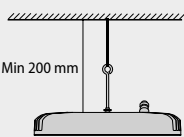
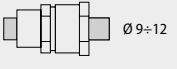

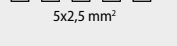
A0677



A0675





A0676

KOA MAXI	 0,047 m ²						
 max 13 kg	 0,270 m ²	 Min 200 mm				 Ø 9÷12	
						 H07RN-F 5G2.5	
						 5x2,5 mm ²	

If information about Kelvin degrees is provided, this means that the lamp is included.



Lamps

-  n.16 LED - 135 W
-  n.8 LED - 70 W

LAMPHOLDER	POWER	ILCOS	LBS	COLOUR/ RAL	CLASS	KELVIN	COS Ø ≥ 0,9	EEL	OPTIC	OPTIC BEAM	NOMINAL LUMEN OUTPUT	REAL LUMEN OUTPUT	LIFETIME	L	°C	CODE	NOTES	EURO
------------	-------	-------	-----	----------------	-------	--------	----------------	-----	-------	---------------	-------------------------	----------------------	----------	---	----	------	-------	------

KOA MINI S/EW

POWER LED DIMMABLE 1-10 V 220/240 V 50/60 HZ

-	n.16 LED - 135 W	LED	-	94	I	4000	•	-	S/EW	-	17280 lm	14935 lm	50000 h	L70	-	06126994		
-	n.8 LED - 70 W	LED	-	94	I	4000	•	-	S/EW	-	8640 lm	7597 lm	50000 h	L70	-	06127594		



LAMPHOLDER	POWER	ILCOS	LBS	COLOUR/ RAL	CLASS	KELVIN	COS Ø ≥ 0,9	EEL	OPTIC	OPTIC BEAM	NOMINAL LUMEN OUTPUT	REAL LUMEN OUTPUT	LIFETIME	L	°C	CODE	NOTES	EURO
------------	-------	-------	-----	----------------	-------	--------	----------------	-----	-------	---------------	-------------------------	----------------------	----------	---	----	------	-------	------

KOA MINI ELL

POWER LED DIMMABLE 1-10 V 220/240 V 50/60 HZ

-	n.16 LED - 135 W	LED	-	94	I	4000	•	-	ELL	-	17280 lm	13590 lm	50000 h	L70	-	06127294		
-	n.8 LED - 70 W	LED	-	94	I	4000	•	-	ELL	-	8640 lm	6953 lm	50000 h	L70	-	06127894		

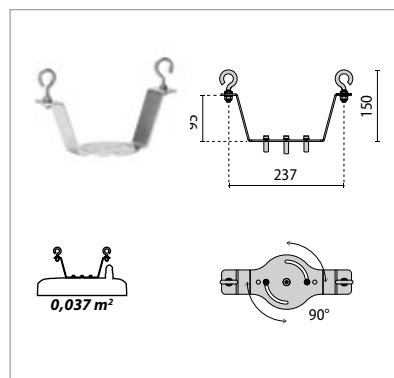


ACCESSORIES

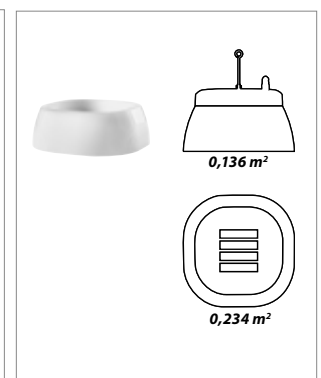
DESCRIPTION	COLOUR	CODE	EURO
A0675 Double hook KOA MINI / MAXI	-	14174920	
A0685 Bell diffuser KOA MINI	-	14460720	
A0686 Protective glass MINI	-	14460820	






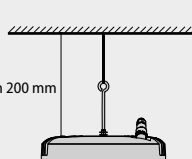
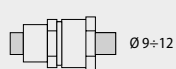
A0686



A0675



A0685

<p>KOA MINI</p>  <p>max 11 kg</p>	 <p>0,035 m²</p>  <p>0,149 m²</p>	 <p>Min 200 mm</p>	 <p>Ø 9÷12</p> <p>H07RN-F 5G2,5</p> <p>5x2,5 mm²</p>
--	---	---	--

If information about Kelvin degrees is provided, this means that the lamp is included.

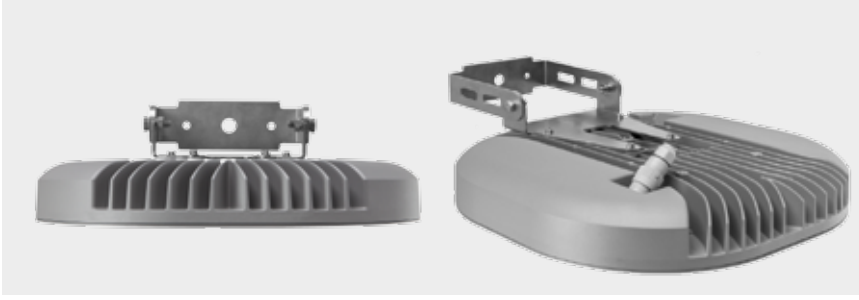
KOA WALL



Series of wall and ceiling mounted LED luminaire for indoor and outdoor lighting, in two sizes, comprising:

- Die-cast aluminium housing chemically pre-treated and painted with polyester powder coat
- Diffuser with integrated louvre in UV and heat stabilised transparent technopolymer
- High-transparency polycarbonate lenses for best light transmission
- Anti-aging silicone gasket with high resiliency
- Electrical connection with outdoor plug-socket

- quick connector (IP66 rating) that allows connection to mains without opening the luminaire body, made in PA66 with silver-plated brass contacts, for cables Ø 9 - Ø 12 mm
- Light beam obtained by the combination of multiple LED modules
- Powder coated steel bracket
- Stainless steel external screws
- On request, versions with DALI dimming systems are available



IP 66	IK10 24J xx9	CE	CLASS I	0,5 m	850 °C	WALL LUMINAIRE	STREET LIGHTING	1-10 V	QUICK
LED									94

KOA WALL MAXI



n. 32 LED



n. 24 LED



n. 16 LED

KOA WALL MINI

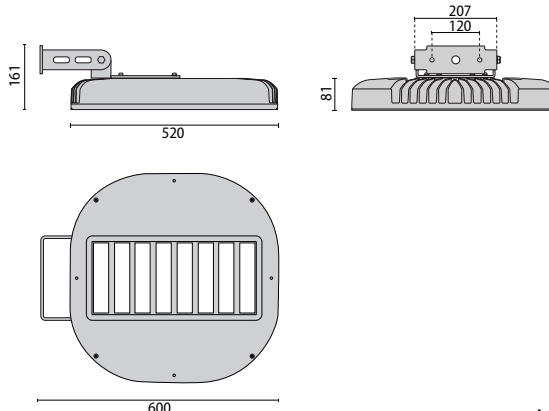
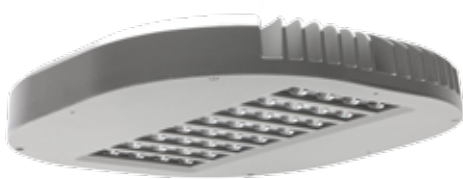


n. 16 LED



n. 8 LED

KOA WALL



Lamps

	n.16 LED - 135 W
	n.24 LED - 210 W
	n.32 LED - 270 W

LAMPHOLDER	POWER	ILCOS	LBS	COLOUR/ RAL	CLASS	KELVIN	COS Ø	≥ 0,9	EEL	OPTIC	OPTIC BEAM	NOMINAL LUMEN OUTPUT	REAL LUMEN OUTPUT	LIFETIME	L	°C	CODE	NOTES	EURO
------------	-------	-------	-----	----------------	-------	--------	-------	-------	-----	-------	---------------	-------------------------	----------------------	----------	---	----	------	-------	------

KOA WALL MAXI SR

POWER LED DIMMABLE 1-10 V 220/240 V 50/60 HZ

-	n.16 LED - 135 W LED	-	94	I	4000	•	-	SR	-	17280 lm	14875 lm	50000 h	L70	-				06138594	
-	n.24 LED - 210 W LED	-	94	I	4000	•	-	SR	-	25920 lm	22207 lm	50000 h	L70	-				06137994	
-	n.32 LED - 270 W LED	-	94	I	4000	•	-	SR	-	34560 lm	29337 lm	50000 h	L70	-				06137394	



ACCESSORIES

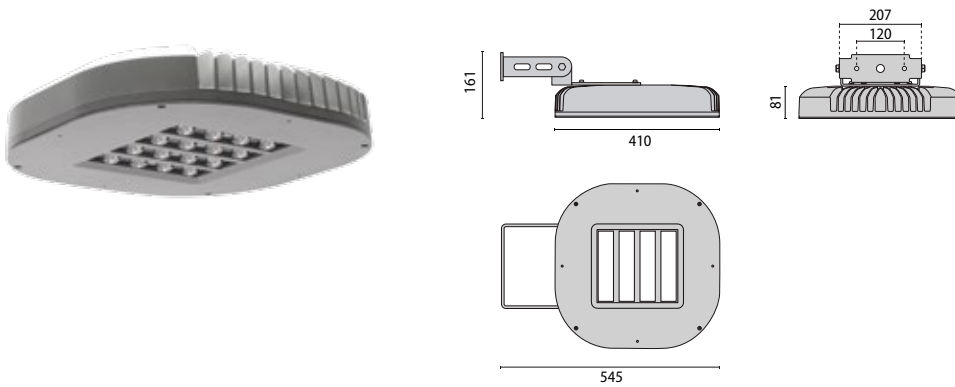
DESCRIPTION	COLOUR	CODE	EURO
A0677 Protective glass MAXI	-	14175120	





A0677


<p>KOA WALL MAXI</p> <p>max 13,8 kg</p>	<p>0,270 m²</p> <p>0,270 m²</p>	<p>NO</p> <p>Min 200 mm</p> <p>Min 200 mm</p>	<p>90°</p>	<p>Ø 9÷12</p> <p>H07RN-F 5G2.5</p> <p>5x2,5 mm²</p>
---	---	---	------------	--

If information about Kelvin degrees is provided, this means that the lamp is included.



Lamps

	n.16 LED - 135 W
	n.8 LED - 70 W

LAMPHOLDER	POWER	ILCOS	LBS	COLOUR/ RAL	CLASS		KELVIN	COS Φ $\geq 0,9$	EEI	OPTIC	OPTIC BEAM	NOMINAL LUMEN OUTPUT	REAL LUMEN OUTPUT	LIFETIME	L	°C	CODE	NOTES	EURO
KOA WALL MINI SR																			
POWER LED DIMMABLE 1-10 V 220/240 V 50/60 HZ																			
-	n.16 LED - 135 W LED	-	-	94	I		4000	•	-	SR	-	17280 lm	14523 lm	50000 h	L70	-	06135394		
-	n.8 LED - 70 W LED	-	-	94	I		4000	•	-	SR	-	8640 lm	7491 lm	50000 h	L70	-	06135694		




ACCESSORIES

DESCRIPTION	COLOUR	CODE	EURO
A0686 Protective glass MINI	-	14460820	

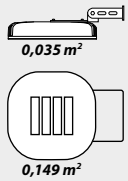


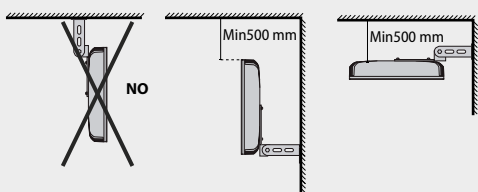
A0686

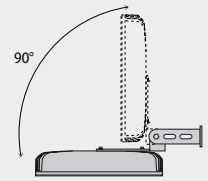
**KOA WALL
MINI**

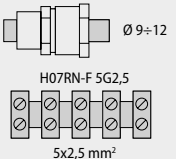


max 11,8 kg









If information about Kelvin degrees is provided, this means that the lamp is included.

The data contained in this catalogue is for reference purposes only and does not involve any commitment by Performance in Lighting S.p.A., which reserves the right to make all necessary changes without prior notice. Partial or complete reproduction of this catalogue is forbidden.



SBP® and **SBP URBAN LIGHTING**® are brands of
PERFORMANCE IN LIGHTING s.p.a.
via Provinciale, 57 - 24050 Ghisalba (BG) - Italia
info@sbp-pil.com

EXPORT DEPARTMENT
Tel. +39 0363 94 06 22
Fax +39 0363 94 06 99
euroexport@sbp-pil.com
worldexport@sbp-pil.com

www.performanceinlighting.com

UK - Performance in Lighting (UK) Limited

Imex Spaces Business Centre
Oxleasow Road, East Moons Moat
Redditch
Worcestershire B98 0RE
Tel. +44 (0) 1527 830439
Fax +44 (0) 1527 830440
info1@pil-uk.com